



## Valtra / Valmet



### Clutch

Clutch

3.2




**Agricultural tractors**
**Pre 1968 series**

33	Single 280
359	Single 280
361	Single 280

**02 series**

502	Single 280
502	Dual 280/280
602	Dual 280/280
602T	Dual 280/280
702	Single 305
702	Dual 310/310
802	Dual 310/310
1102	Single 305
1102	Dual 310/310

**03 series**

703	Single 305
703	Dual 310/310
903	Dual 310/310
1103	Dual 310/310
1203	Dual 310/310

**04 series**

504	Dual 280/280
604	Dual 280/280
604T	Dual 280/280

**05 series**

205	Single 280
305	Dual 300/280
305	Dual 280/280
405	Dual 300/280
405	Dual 280/280
505	Single 310
605	Single 310
605	Single 330
705	Single 310
705	Single 330
805	Single 310
805	Single 330
905	Single 330

**15 series**

415	Dual 300/280
415	Dual 280/280

**55 series**

255	Dual 300/280
255	Dual 280/280
355	Dual 300/280
355	Dual 280/280
455	Dual 300/280
455	Dual 280/280
555	Dual 300/280
555	Dual 280/280
655	Single 330
655	Dual 280/280

 755  
855

**65 series**

365	Dual 300/280
365	Dual 280/280
465	Dual 300/280
465	Dual 280/280
565	Dual 300/280
565	Single 280
565	Dual 280/280
665	Dual 300/280
665	Dual 280/280
865	Dual 300/280

**100 series**

500	Single 280
500	Dual 280/280
600	Dual 300/280
700	Dual 300/280
700	Single 305
700	Dual 280/280
700	Dual 310/310
700	Dual 310/310
700 MkII	Dual 310/310
800	Dual 300/280
900	Single 305
900	Dual 300/280
900	Dual 310/310
1100	Single 305
1100	Dual 310/310

**A series**

A65	Dual 300/280
A75	Dual 300/280
A85	Dual 300/280
A95	Dual 300/280

**C series**

C90	Powershift
C100	Powershift
C110	Powershift
C120	Powershift
C120e	Powershift
C130	Powershift
C150	Powershift

**M series**

M120	Powershift
M120e	Powershift
M130	Powershift
M150	Powershift

**Mega series**

6900	Single 330
8000	Single 330
8050	Single 350
8100	Single 330
8150	Single 350
8200	Single 350
8300	Dual 310/310
8400	Single 350
8450	Single 350
8550	Single 350

 Single 330  
Single 330

 8600  
8750  
8800

**Mezzo series**

6000	Single 330
6100	Single 330
6200	Single 330
6300	Single 330
6400	Single 330
6600	Single 330
6800	Single 330

**N series**

N91C	Single 330
N91H	Powershift
N101C	Single 330
N101H	Powershift
N111C	Single 330
N111eH	Powershift
N121H	Powershift
N121LS	Powershift
N141H	Powershift
N141LS	Powershift

**T series**

T120	Powershift
T130	Powershift
T140e	Powershift
T160	Powershift
T170	Powershift
T180	Powershift
T190	Powershift

**XM series**

XM130	Powershift
-------	------------

**Vineyard tractors**
**3000 series**

3300 V	Dual 280/280
3400 V	Dual 280/280
3500 V	Dual 280/280

**Orchard tractors**

3100 F	Dual 280/280
3300 F	Dual 280/280
3400 F	Dual 280/280
3500 F	Dual 280/280

**Compact tractors**

3100 C	Dual 280/280
3300 C	Dual 280/280
3400 C	Dual 280/280
3500 C	Dual 280/280

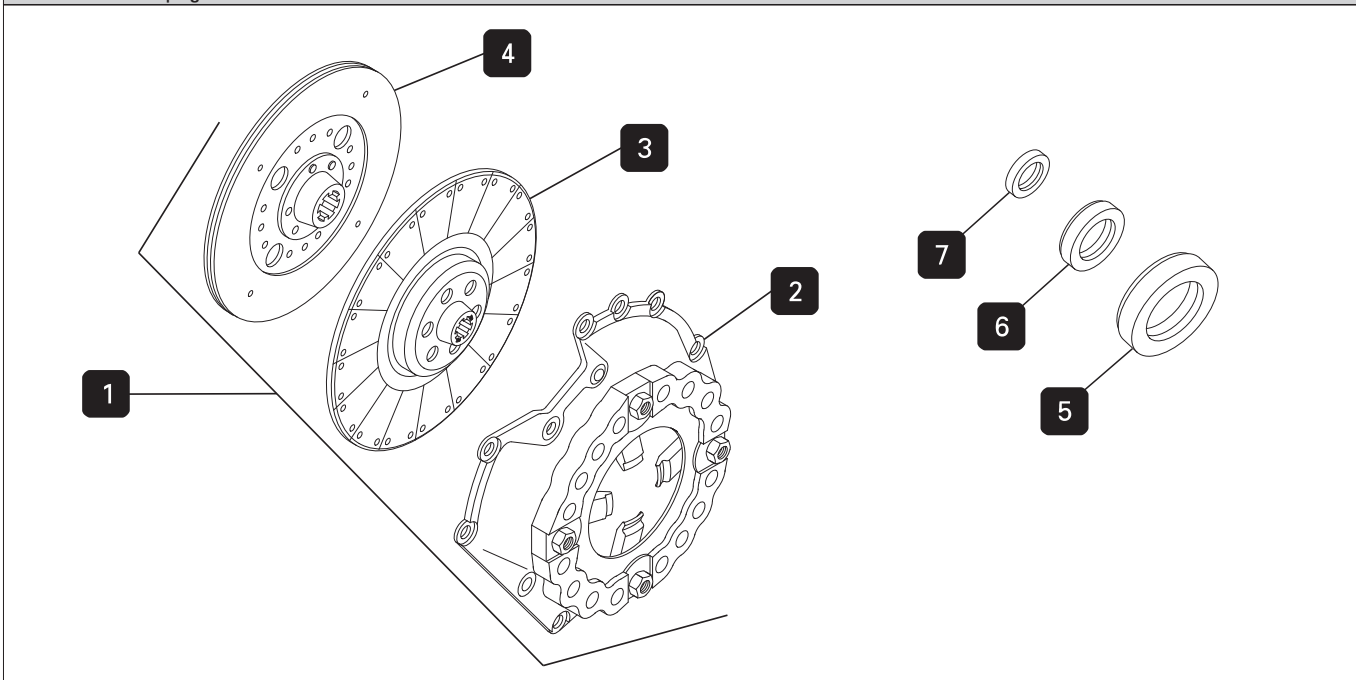


# Clutch



- 1 Clutch kit
- 2 Main assembly
- 3 Main drive plate
- 4 PTO drive plate
- 5 Main thrust bearing
- 6 PTO release bearing
- 7 Pilot bearing

See remarks on page 7



33, 359, 361 <b>Single 280</b>	-	-	-	-	<b>VPG5006</b>	-	<b>VPG5127</b>
502 <b>Dual 280/280</b>	<b>VPG6677</b> (a)	<b>VPG1212</b> (b,c) 654490 <b>VPG1878</b> (a) 601450	<b>VPG2062</b> (b,c) 654410 <b>VPG2701</b> (a) 721155	<b>VPG2061</b> (b,c) 654420 <b>VPG2712</b> (a) 601460	<b>VPG5258</b> (a) 582990	<b>VPG5259</b> (a) 582970	<b>VPG5267</b> LA1282
502 <b>Single 280</b>	-	-	-	-	<b>VPG5006</b>	-	<b>VPG5127</b>
602 <b>Dual 280/280</b>	<b>VPG6677</b>	<b>VPG1878</b> 601450	<b>VPG2701</b> 721155	<b>VPG2712</b> 601460	<b>VPG5258</b> 582990	<b>VPG5259</b> 582970	<b>VPG5267</b> LA1282
602T <b>Dual 280/280</b>	-	-	-	<b>VPG2712</b> 601460	-	<b>VPG5259</b> 582970	-
702 <b>Dual 310/310</b>	<b>VPG6708</b>	<b>VPG1918</b> 31970510	<b>VPG2795</b> 30049220	<b>VPG2493</b> 814050	<b>VPG5261</b> 811080	<b>VPG5260</b> 725160	<b>VPG5267</b> LA1282
702 <b>Single 305</b>	-	-	-	-	<b>VPG5261</b> 811080	-	<b>VPG5267</b> LA1282
802 <b>Dual 310/310</b>	<b>VPG6708</b>	<b>VPG1918</b> 31970510	<b>VPG2795</b> 30049220	<b>VPG2493</b> 814050	-	<b>VPG5260</b> 725160	<b>VPG5267</b> LA1282
1102 <b>Dual 310/310</b>	<b>VPG6708</b>	<b>VPG1918</b> 31970510	<b>VPG2795</b> 30049220	<b>VPG2493</b> 814050	<b>VPG5261</b> 811080	-	<b>VPG5267</b> LA1282
1102 <b>Single 305</b>	-	-	-	-	<b>VPG5261</b> 811080	<b>VPG5260</b> 725160	<b>VPG5267</b> LA1282
703 <b>Dual 310/310</b>	<b>VPG6708</b>	<b>VPG1918</b> 31970510	<b>VPG2795</b> 30049220	<b>VPG2493</b> 814050	<b>VPG5261</b> 811080	<b>VPG5260</b> 725160	<b>VPG5267</b> LA1282



		1	2	3	4	5	6	7
703	Single 305	-	-	-	-	VPG5501 30208100, 30208110	-	VPG5267 LA1282
903, 1103, 1203	Dual 310/310	VPG6708	VPG1918 31970510	VPG2795 30049220	VPG2493 814050	VPG5261 811080	VPG5260 725160	VPG5267 LA1282
504, 604	Dual 280/280	VPG6677	VPG1878 601450	VPG2701 721155	VPG2712 601460	VPG5258 582990	VPG5259 582970	VPG5267 LA1282
604T	Dual 280/280	-	-	-	VPG2712 601460	VPG5258 582990	VPG5259 582970	-
205	Single 280	-	-	-	-	-	-	VPG5267 LA1282
305	Dual 280/280	-	VPG1863 32043110	VPG2688 32639400	VPG2687 32043000	VPG5258 582990	VPG5259 582970	VPG5267 LA1282
305	Dual 300/280	VPG6756 (d) 82224300 VPG9099 (e)	-	-	-	VPG5258 582990	VPG5259 582970	VPG5267 LA1282
405	Dual 280/280	-	VPG1863 32043110	VPG2688 32639400	VPG2687 32043000	VPG5258 582990	VPG5259 582970	VPG5267 LA1282
405	Dual 300/280	VPG6756 (d) 82224300 VPG9099 (e)	-	-	-	VPG5258 582990	VPG5259 582970	VPG5267 LA1282
505	Single 310	-	VPG1284 30036400,	VPG2759 (e) 30049300 VPG2795 (d) 30049220	-	VPG5501 30208100, 30208110	-	VPG5108 LA1992
605	Single 310	-	-	VPG2759 (e) 30049300 VPG2795 (d) 30049220	-	VPG5501 30208100, 30208110	-	VPG5108 LA1992
605	Single 330	VPG6745 (d) 35652200	VPG1233 303429	VPG2343 (d) 303430, 325927, 35651900 VPG2921 (e) 32772900	-	VPG5501 30208100, 30208110	-	VPG5108 LA1992
705	Single 310	-	VPG1284 30036400,	VPG2759 (e) 30049300 VPG2795 (d) 30049220	-	VPG5501 30208100, 30208110	-	VPG5108 LA1992
705	Single 330	VPG6745 35652200	VPG1233 303429	VPG2343 (d) 303430, 325927, 35651900 VPG2921 (e) 32772900	-	VPG5501 30208100, 30208110	-	VPG5108 LA1992
805	Single 310	-	VPG1284 30036400,	VPG2759 (e) 30049300 VPG2795 (d) 30049220	-	VPG5501 30208100, 30208110	-	VPG5108 LA1992
805, 905	Single 330	VPG6745 (d) 35652200	VPG1233 303429	VPG2343 (d) 303430, 325927, 35651900 VPG2921 (e) 32772900	-	VPG5501 30208100, 30208110	-	VPG5108 LA1992
415	Dual 280/280	-	VPG1863 32043110	VPG2688 32639400	VPG2687 32043000	VPG5258 582990	VPG5259 582970	VPG5267 LA1282,
415	Dual 300/280	VPG6756 (d) 82224300 VPG9099 (e)	-	-	-	VPG5258 582990	VPG5259 582970	VPG5267 LA1282
255	Dual 280/280	-	VPG1863 32043110	VPG2688 32639400	VPG2687 32043000	VPG5258 582990	VPG5259 582970	VPG5267 LA1282

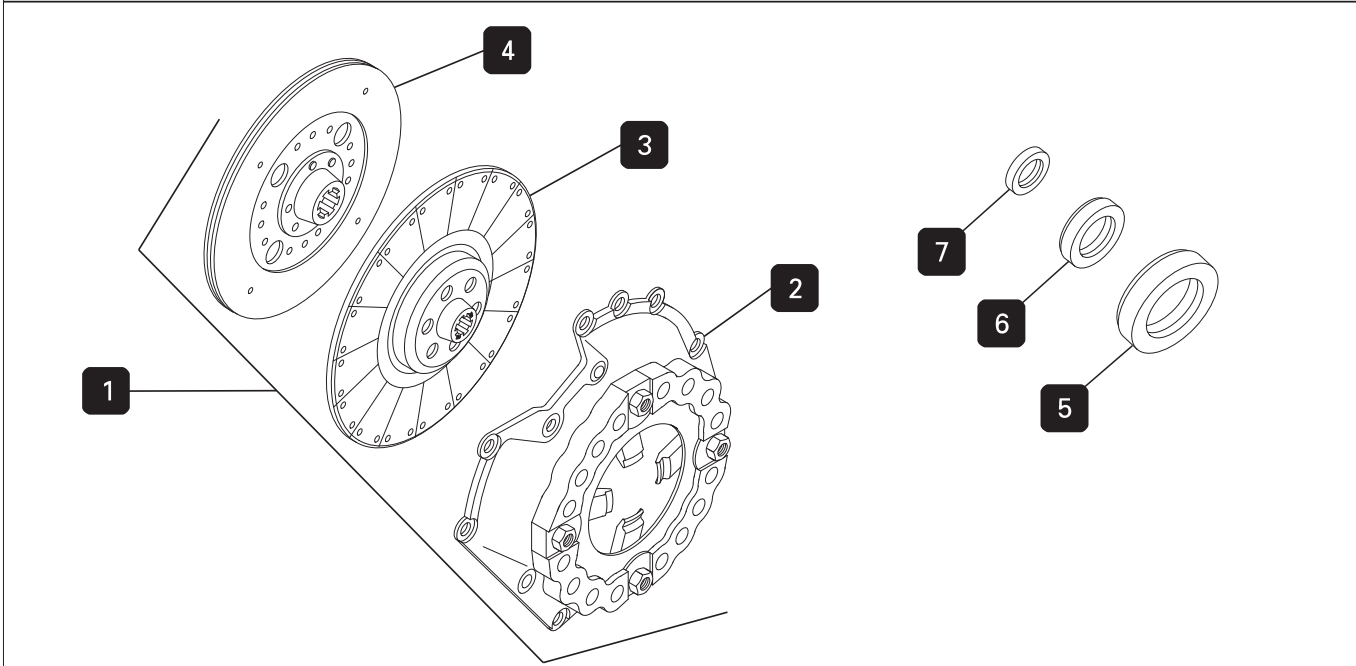


# Clutch



- 1 Clutch kit
- 2 Main assembly
- 3 Main drive plate
- 4 PTO drive plate
- 5 Main thrust bearing
- 6 PTO release bearing
- 7 Pilot bearing

See remarks on page 7



- 1
- 2
- 3
- 4
- 5
- 6
- 7

255	Dual 300/280	VPG6756 (d) 82224300 VPG9099 (e)	-	-	-	VPG5258 582990	VPG5259 582970	VPG5267 LA1282
355	Dual 280/280	-	VPG1863 32043110	VPG2688 32639400	VPG2687 32043000	VPG5258 582990	VPG5259 582970	VPG5267 LA1282
355	Dual 300/280	VPG6756 (d) 82224300 VPG9099 (e)	-	-	-	VPG5258 582990	VPG5259 582970	VPG5267 LA1282
455	Dual 280/280	-	VPG1863 32043110	VPG2688 32639400	VPG2687 32043000	VPG5258 582990	VPG5259 582970	VPG5267 LA1282
455	Dual 300/280	VPG6756 (d) 82224300 VPG9099 (e)	-	-	-	VPG5258 582990	VPG5259 582970	VPG5267 LA1282
555	Dual 280/280	-	VPG1863 32043110	VPG2688 32639400	VPG2687 32043000	VPG5258 582990	VPG5259 582970	VPG5267 LA1282
555	Dual 300/280	VPG6756 (d) 82224300 VPG9099 (e)	-	-	-	VPG5258 582990	VPG5259 582970	VPG5267 LA1282
655	Dual 280/280	-	VPG1863 32043110	VPG2688 32639400	VPG2687 32043000	VPG5258 582990	VPG5259 582970	VPG5267 LA1282
655	Single 330	VPG6745 (d) 35652200	VPG1233 303429	VPG2343 (d) 303430, 325927, 35651900 VPG2921 (e) 32772900	-	VPG5501 30208100, 30208110	-	VPG5108 LA1992



		1	2	3	4	5	6	7
755, 855	Single 330	<b>VPG6721</b> (l) <b>VPG6745</b> (d) 35652200	<b>VPG1233</b> 303429	<b>VPG2343</b> (d) 303430, 325927, 35651900 <b>VPG2822</b> (d) 318878, 35651800 <b>VPG2921</b> (e) 32772900	-	<b>VPG5501</b> 30208100, 30208110	-	<b>VPG5108</b> LA1992
365	Dual 280/280	-	<b>VPG1863</b> 32043110	<b>VPG2688</b> 32639400	<b>VPG2687</b> 32043000	<b>VPG5258</b> 582990	<b>VPG5259</b> 582970	<b>VPG5267</b> LA1282
365	Dual 300/280	<b>VPG6756</b> (d) 82224300 <b>VPG9099</b> (e)	-	-	-	<b>VPG5258</b> 582990	<b>VPG5259</b> 582970	<b>VPG5267</b> LA1282
465	Dual 280/280	-	<b>VPG1863</b> 32043110	<b>VPG2688</b> 32639400	<b>VPG2687</b> 32043000	<b>VPG5258</b> 582990	<b>VPG5259</b> 582970	<b>VPG5267</b> LA1282
465	Dual 300/280	<b>VPG6756</b> (d) 82224300 <b>VPG9099</b> (e)	-	-	-	<b>VPG5258</b> 582990	<b>VPG5259</b> 582970	<b>VPG5267</b> LA1282
565	Dual 280/280	-	<b>VPG1212</b> (b,c) 654490 <b>VPG1863</b> (a) 32043110	<b>VPG2062</b> (b,c) 654410 <b>VPG2688</b> (a) 32639400	<b>VPG2061</b> (b,c) 654420 <b>VPG2687</b> (a) 32043000	<b>VPG5258</b> (a) 582990	<b>VPG5259</b> (a) 582970	<b>VPG5267</b> LA1282
565	Dual 300/280	<b>VPG6756</b> (d) 82224300 <b>VPG9099</b> (e)	-	-	-	<b>VPG5258</b> 582990	<b>VPG5259</b> 582970	<b>VPG5267</b> LA1282
565	Single 280	-	-	-	-	<b>VPG5006</b>	-	<b>VPG5127</b>
665	Dual 280/280	-	<b>VPG1863</b> 32043110	<b>VPG2688</b> 32639400	<b>VPG2687</b> 32043000	<b>VPG5258</b> 582990	<b>VPG5259</b> 582970	<b>VPG5267</b> LA1282
665, 865	Dual 300/280	<b>VPG6756</b> (d) 82224300 <b>VPG9099</b> (e)	-	-	-	<b>VPG5258</b> 582990	<b>VPG5259</b> 582970	<b>VPG5267</b> LA1282
500	Dual 280/280	-	<b>VPG1212</b> (c) 654490	<b>VPG2062</b> 654410	<b>VPG2061</b> 654420	-	-	<b>VPG5267</b> LA1282
500	Single 280	-	-	-	-	<b>VPG5006</b>	-	<b>VPG5127</b>
600	Dual 300/280	<b>VPG6756</b> (d) 82224300 <b>VPG9099</b> (e)	-	-	-	<b>VPG5258</b> 582990	<b>VPG5259</b> 582970	<b>VPG5267</b> LA1282
700	Dual 280/280	-	<b>VPG1212</b> (c) 654490	<b>VPG2062</b> 654410	<b>VPG2061</b> 654420	-	-	<b>VPG5267</b> LA1282
700	Dual 300/280	<b>VPG6756</b> (d) 82224300 <b>VPG9099</b> (e)	-	-	-	<b>VPG5258</b> 582990	<b>VPG5259</b> 582970	<b>VPG5267</b> LA1282
700	Dual 310/310	<b>VPG6708</b>	<b>VPG1918</b> 31970510	<b>VPG2795</b> 30049220	<b>VPG2493</b> 814050	<b>VPG5261</b> 811080	<b>VPG5260</b> 725160	<b>VPG5267</b> LA1282
700	Single 305	-	-	-	-	<b>VPG5260</b> 725160	-	<b>VPG5267</b> LA1282
700 MkII	Dual 310/310	<b>VPG6708</b>	<b>VPG1918</b> 31970510	<b>VPG2795</b> 30049220	<b>VPG2493</b> 814050	-	<b>VPG5260</b> 725160	<b>VPG5267</b> LA1282
800, 900	Dual 300/280	<b>VPG6756</b> (d) 82224300 <b>VPG9099</b> (e)	-	-	-	<b>VPG5258</b> 582990	<b>VPG5259</b> 582970	<b>VPG5267</b> LA1282
900	Dual 310/310	<b>VPG6708</b>	<b>VPG1918</b> 31970510	<b>VPG2795</b> 30049220	<b>VPG2493</b> 814050	<b>VPG5261</b> 811080	<b>VPG5260</b> 725160	<b>VPG5267</b> LA1282
900	Single 305	-	-	-	-	-	-	<b>VPG5267</b> LA1282

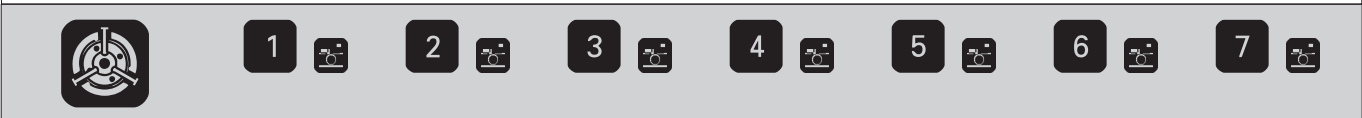
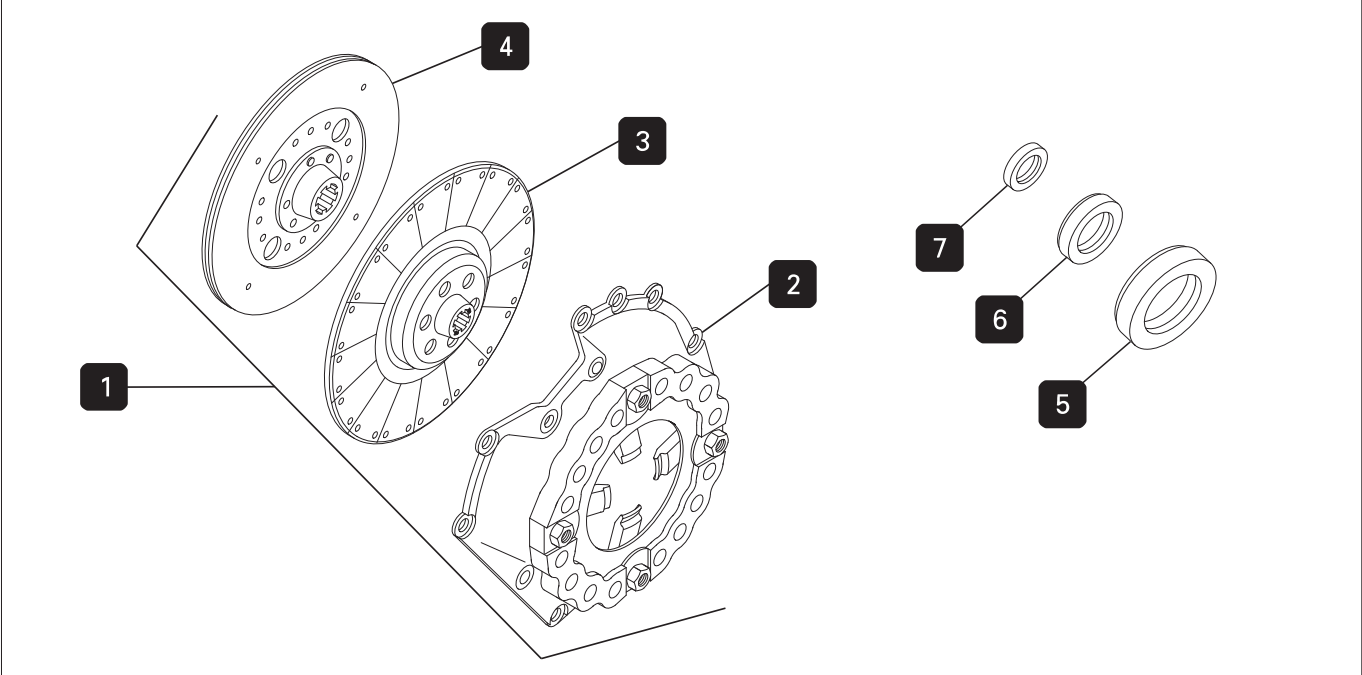


# Clutch

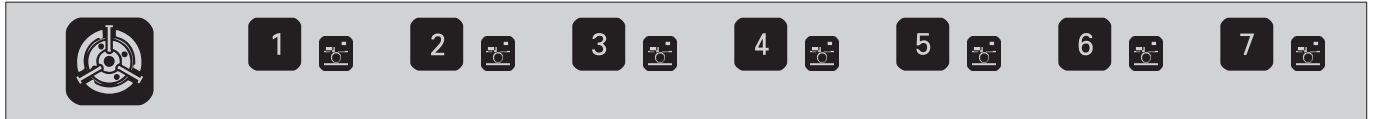


- 1 Clutch kit
- 2 Main assembly
- 3 Main drive plate
- 4 PTO drive plate
- 5 Main thrust bearing
- 6 PTO release bearing
- 7 Pilot bearing

See remarks on page 7



1100	Dual 310/310	VPG6708	VPG1918 31970510	VPG2795 30049220	VPG2493 814050	-	-	VPG5267 LA1282
1100	Single 305	-	-	-	-	VPG5261 811080	VPG5260 725160	VPG5267 LA1282
A65, A75, A85, A95	Dual 300/280	VPG6756 (d) 82224300 VPG9099 (e)	-	-	-	VPG5258 582990	VPG5259 582970	VPG5267 LA1282
6900, 8000	Single 330	VPG6721 (h) VPG6745 (i) 35652200	VPG1233 303429	VPG2343 (i) 303430, 325927, 35651900 VPG2822 (h) 318878, 35651800 VPG2921 (g) 32772900	-	VPG5085 (k) 31597300, 35651700 VPG5501 (j) 30208100, 30208110	-	VPG5108 (f) LA1992
8050	Single 350	-	VPG1755 32831400, 35651500	VPG2880 35651400	-	VPG5085 31597300, 35651700	-	VPG5108 LA1992
8100	Single 330	VPG6745 35652200	VPG1233 303429	VPG2343 303430, 325927, 35651900	-	VPG5085 31597300, 35651700	-	VPG5108 LA1992
8150	Single 350	-	VPG1755 32831400, 35651500	VPG2880 35651400	-	VPG5085 31597300, 35651700	-	VPG5108 LA1992
8200	Single 350	-	VPG1755 32831400, 35651500	VPG2880 35651400	-	VPG5085 (m) 31597300, 35651700 VPG5501 (m) 30208100, 30208110	-	VPG5108 LA1992
8300	Dual 310/310	VPG6535	-	-	-	-	-	-



8400	Single 350	-	<b>VPG1755</b> 32831400, 35651500	<b>VPG2880</b> 35651400	-	<b>VPG5085</b> (m) 31597300, 35651700 <b>VPG5501</b> (m) 30208100, 30208110	-	<b>VPG5108</b> LA1992
8450, 8550	Single 350	-	<b>VPG1755</b> 32831400, 35651500	<b>VPG2880</b> 35651400	-	<b>VPG5085</b> 31597300, 35651700	-	<b>VPG5108</b> LA1992
8600	Dual 310/310	<b>VPG6535</b>	-	-	-	-	-	-
8750	Single 350	-	<b>VPG1755</b> 32831400, 35651500	<b>VPG2880</b> 35651400	-	<b>VPG5085</b> 31597300, 35651700	-	-
8800	Dual 310/310	<b>VPG6535</b>	-	-	-	-	-	-
6000, 6100	Single 330	<b>VPG6721</b> (h) <b>VPG6745</b> (i) 35652200	<b>VPG1233</b> 303429	<b>VPG2343</b> (i) 303430, 325927, 35651900 <b>VPG2822</b> (h) 318878, 35651800 <b>VPG2921</b> (g) 32772900	-	<b>VPG5085</b> (k) 31597300, 35651700 <b>VPG5501</b> (j) 30208100, 30208110	-	<b>VPG5108</b> (f) LA1992
6200	Single 330	<b>VPG6721</b> (h) <b>VPG6745</b> (i) 35652200	<b>VPG1233</b> 303429	<b>VPG2343</b> (i) 303430, 325927, 35651900 <b>VPG2822</b> (h) 318878, 35651800 <b>VPG2921</b> (g) 32772900	-	<b>VPG5085</b> (k) 31597300, 35651700 <b>VPG5501</b> (j) 30208100, 30208110	-	<b>VPG5108</b> LA1992
6300, 6400, 6600, 6800	Single 330	<b>VPG6721</b> (h) <b>VPG6745</b> (i) 35652200	<b>VPG1233</b> 303429	<b>VPG2343</b> (i) 303430, 325927, 35651900 <b>VPG2822</b> (h) 318878, 35651800 <b>VPG2921</b> (g) 32772900	-	<b>VPG5085</b> (k) 31597300, 35651700 <b>VPG5501</b> (j) 30208100, 30208110	-	<b>VPG5108</b> (f) LA1992
N91C	Single 330	<b>VPG6745</b> 35652200	<b>VPG1233</b> 303429	<b>VPG2343</b> 303430, 325927, 35651900	-	<b>VPG5085</b> 31597300, 35651700	-	<b>VPG5108</b> LA1992
N101C	Single 330	<b>VPG6745</b> 35652200	<b>VPG1233</b> 303429	<b>VPG2343</b> 303430, 325927, 35651900	-	<b>VPG5085</b> (h) 31597300, 35651700	-	<b>VPG5108</b> LA1992
N111C	Single 330	<b>VPG6745</b> 35652200	<b>VPG1233</b> 303429	<b>VPG2343</b> 303430, 325927, 35651900	-	<b>VPG5085</b> 31597300, 35651700	-	<b>VPG5108</b> LA1992
3100 C, 3300 C, 3400 C, 3500 C	Dual 280/280	<b>VPG6678</b> A138035	<b>VPG1283</b>	-	<b>VPG2480</b>	<b>VPG5078</b>	<b>VLD3213</b>	<b>VPG5010</b>
3100 F, 3300 F, 3400 F, 3500 F	Dual 280/280	<b>VPG6678</b> A138035	<b>VPG1283</b>	-	<b>VPG2480</b>	<b>VPG5078</b>	<b>VLD3213</b>	<b>VPG5010</b>
3300 V, 3400 V, 3500 V	Dual 280/280	<b>VPG6678</b> A138035	<b>VPG1283</b>	-	<b>VPG2480</b>	<b>VPG5078</b>	<b>VLD3213</b>	<b>VPG5010</b>

**Serial numbers and date ranges**

(a) 53571 →

(b) → 53570

**Remarks**

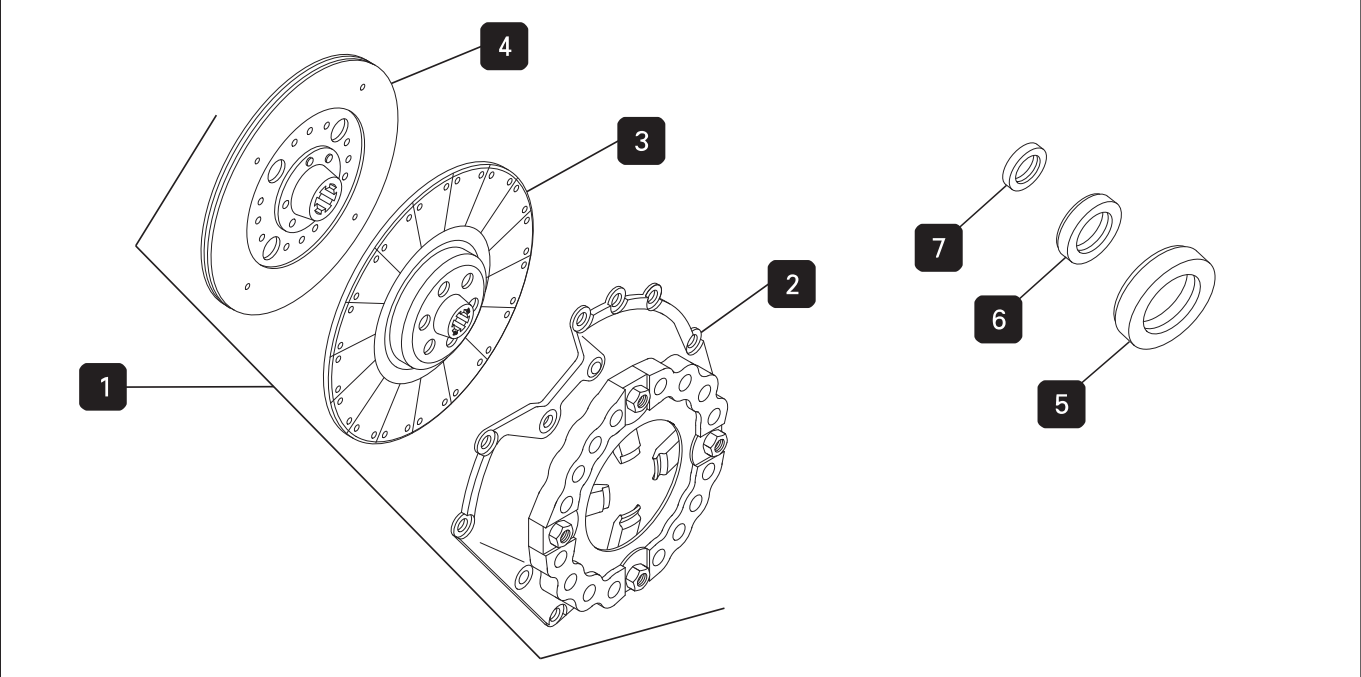
- (c) Wedding cake style
- (d) Organic
- (e) Cerametallic
- (f) Without turbo clutch
- (g) Without turbo clutch Cerametallic
- (h) With turbo clutch
- (i) Without turbo clutch Organic
- (j) Mechanical operated clutch
- (k) Hydraulic operated clutch
- (l) Rigid plate
- (m) Refer to technical details

Original equipment manufacturers name and part number are quoted for reference purposes only and are not intended to infer that our replacement parts are used as original equipment

**Vapormatic quality replacement parts suitable for Valtra Valmet applications**



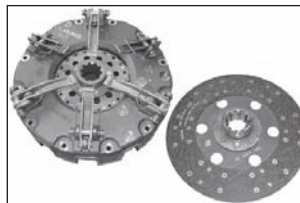
- 1 Clutch kit
- 2 Main assembly
- 3 Main drive plate
- 4 PTO drive plate
- 5 Main thrust bearing
- 6 PTO release bearing
- 7 Pilot bearing



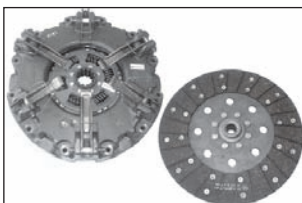
Digital images



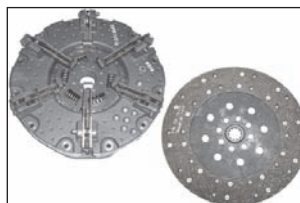
- 1 **VPG6535**
  - Main assembly 231008410
  - Main drive plate 331021210



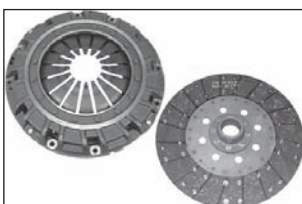
- 1 **VPG6677**
  - Main assembly VPG1878
  - Main drive plate VPG2712



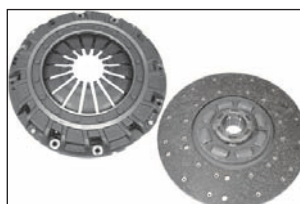
- 1 **VPG6678**
  - A138035
  - Main assembly VPG1283
  - Main drive plate VPG2480



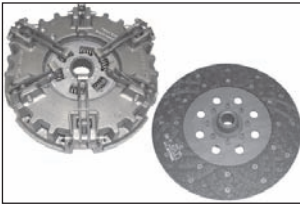
- 1 **VPG6708**
  - Main assembly VPG1918
  - Main drive plate VPG2493



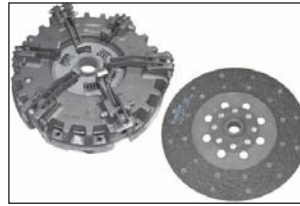
- 1 **VPG6721**
  - Main assembly VPG1233
  - Main drive plate VPG2822



- 1 **VPG6745**
  - 35652200
  - Main assembly VPG1233
  - Main drive plate VPG2343



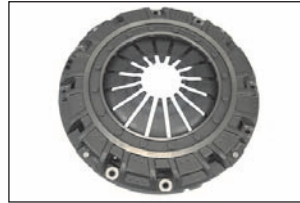
- 1 VPG6756**  
82224300
- Main assembly 230003310
  - Main drive plate VPG2666



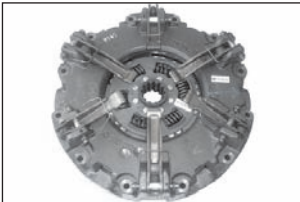
- 1 VPG9099**
- Main assembly 230003311
  - Main drive plate VPG2666



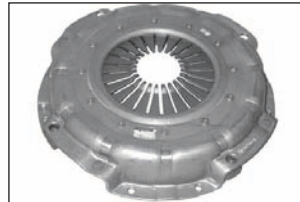
- 2 VPG1212**  
654490
- Manufacture type LuK type
  - Number of springs 12 springs
  - Colour of springs 12 green - 12 red springs
  - Size of clutch 280/280 mm
  - Type of clutch Dual clutch
  - Clamping type Coil spring
  - Flywheel type Cast iron cover cover
  - Additional clutch information Independent
  - Captive plate Yes captive plate



- 2 VPG1233**  
303429  
35652000
- Number of springs 1 springs
  - Size of clutch 330 mm
  - Type of clutch Single clutch
  - Clamping type Diaphragm spring
  - Flywheel type Cast iron cover cover
  - Additional clutch information Flat flywheel
  - Release arrangement Curved diaphragm fingers
  - Captive plate No captive plate



- 2 VPG1283**
- Manufacture type LuK type
  - Number of release levers 6 release levers
  - Number of springs 1 springs
  - Number of fixing bolts 12 fixing bolts
  - Size of clutch 280/280 mm
  - Type of clutch Dual clutch
  - Clamping type Diaphragm spring
  - Flywheel type Cast iron cover
  - Captive plate Main drive captive plate



- 2 VPG1284**  
30036400
- Number of springs 1 springs
  - Size of clutch 310 mm
  - Type of clutch Single clutch
  - Clamping type Diaphragm spring
  - Flywheel type Pressed steel cover cover
  - Additional clutch information Flat flywheel
  - Release arrangement Curved diaphragm fingers
  - Captive plate No captive plate



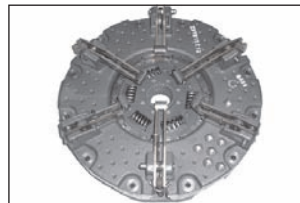
- 2 VPG1755**  
32831400, 35651500
- Manufacture type LuK type
  - Number of springs 1 springs
  - Number of fixing bolts 9 fixing bolts
  - Size of clutch 350 mm
  - Type of clutch Single clutch
  - Clamping type Diaphragm spring
  - Flywheel type Cast iron cover
  - Additional clutch information Flat flywheel
  - Release arrangement Curved diaphragm fingers



- 2 VPG1863**  
32043110
- Manufacture type LuK type
  - Number of release levers 6 release levers
  - Number of springs 1 springs
  - Size of clutch 280/280 mm
  - Type of clutch Dual clutch
  - Clamping type Diaphragm spring
  - Flywheel type Cast iron cover
  - Additional clutch information Independent
  - Captive plate Main drive captive plate



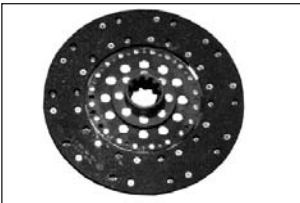
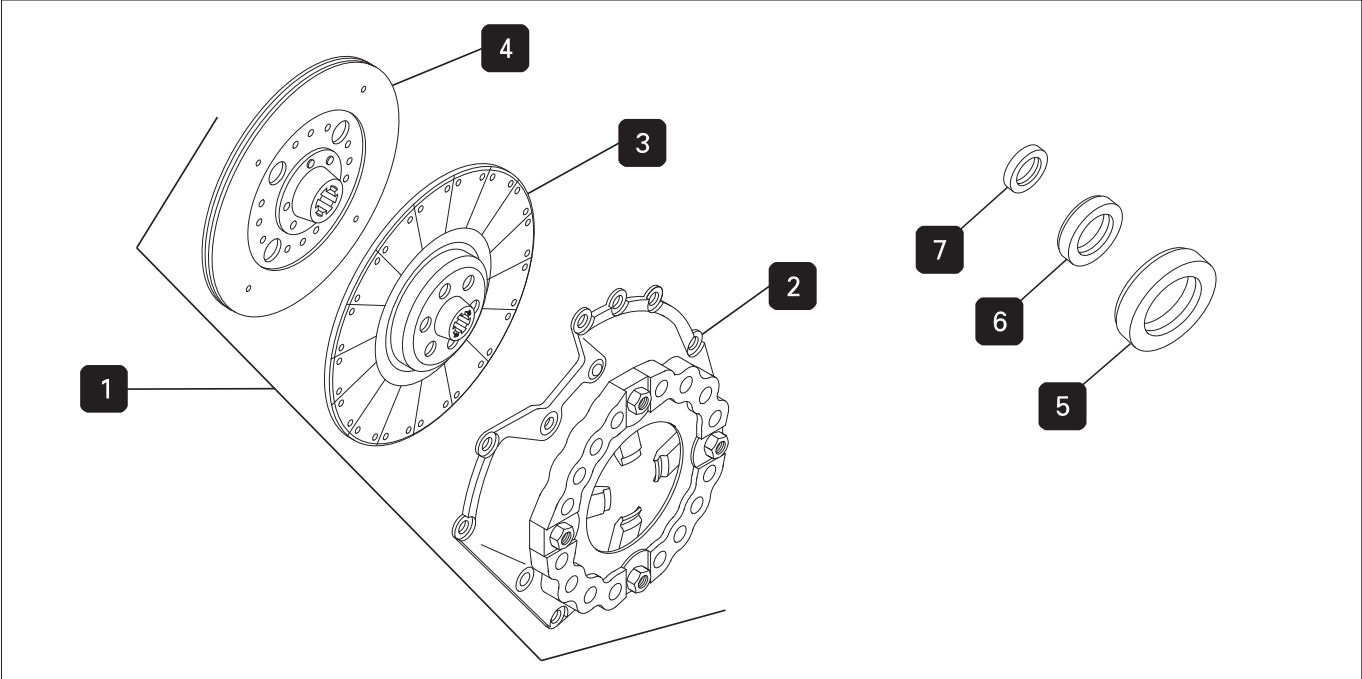
- 2 VPG1878**  
601450
- Manufacture type LuK type
  - Number of release levers 6 release levers
  - Number of springs 1 springs
  - Number of fixing bolts 12 fixing bolts
  - Size of clutch 280/280 mm
  - Type of clutch Dual clutch
  - Clamping type Diaphragm spring
  - Flywheel type Cast iron cover
  - Additional clutch information Independent
  - Captive plate Main drive captive plate



- 2 VPG1918**  
31970510
- Manufacture type LuK type
  - Number of release levers 6 release levers
  - Number of springs 1 springs
  - Colour of springs
  - Number of fixing bolts 6 fixing bolts
  - Size of clutch 310/310 mm
  - Type of clutch Dual clutch
  - Clamping type Diaphragm spring
  - Flywheel type Cast iron cover
  - Additional clutch information Independent
  - Captive plate Main drive captive plate



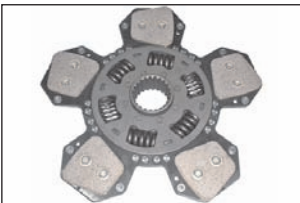
- 1 Clutch kit
- 2 Main assembly
- 3 Main drive plate
- 4 PTO drive plate
- 5 Main thrust bearing
- 6 PTO release bearing
- 7 Pilot bearing



- 3 VPG2062**  
654410
- Material type Organic
  - Plate size 280 mm
  - Number of splines 10 splines
  - Shaft size 1"3/4 shaft
  - Basic version Rigid plate
  - Cushion deflection Without axial cushion
  - Friction material Asbestos free



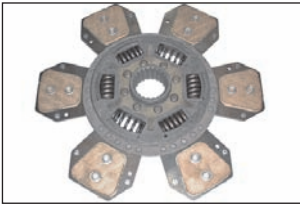
- 3 VPG2343**  
303430, 325927, 35651900  
327729
- Material type Organic
  - Plate size 330 mm
  - Number of splines 22 splines
  - Shaft size 41 x 45mm shaft
  - Basic version Torsion damper plate
  - Cushion deflection With intermediate segments
  - Friction material Asbestos free
  - Torsion damper Pre damper



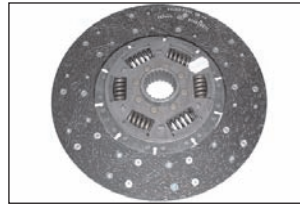
- 3 VPG2688**  
32639400
- Material type Sintered
  - Plate size 280 mm
  - Number of splines 22 splines
  - Shaft size 41 x 45mm shaft
  - Number of pads 5 pads
  - Basic version Torsion damper plate
  - Cushion deflection With dual segment cushion
  - Friction material Cera metallic
  - Torsion damper With compensating springs
  - Spline ID 41 mm
  - Spline OD 45 mm



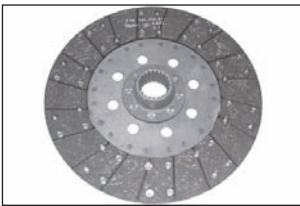
- 3 VPG2701**  
721155
- Material type Organic
  - Plate size 280 mm
  - Number of splines 10 splines
  - Shaft size 1" 3/4 shaft
  - Basic version Rigid plate
  - Cushion deflection Without axial cushion
  - Friction material Asbestos free



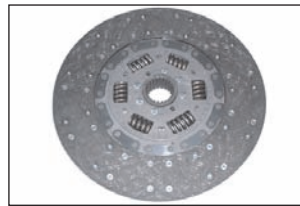
- 3 VPG2759**  
30049300
- Material type Sintered
  - Plate size 310 mm
  - Number of splines 22 splines
  - Shaft size 41 x 45mm shaft
  - Number of pads 6 pads
  - Basic version Torsion damper plate
  - Cushion deflection With dual segment cushion
  - Friction material Cera metallic
  - Torsion damper With compensating springs
  - Spline ID 41 mm
  - Spline OD 45 mm



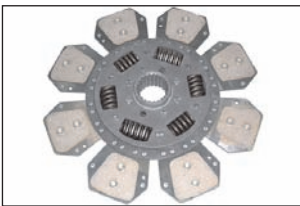
- 3 VPG2795**  
30049220
- Material type Organic
  - Plate size 310 mm
  - Number of splines 22 splines
  - Shaft size 41 x 45mm shaft
  - Basic version Torsion damper plate
  - Cushion deflection With segment cushion
  - Friction material Asbestos free
  - Torsion damper With compensating springs
  - Spline ID 41 mm
  - Spline OD 45 mm



- 3 VPG2822**  
318878, 35651800
- Material type Organic
  - Plate size 330 mm
  - Number of splines 22 splines
  - Shaft size 41 x 45mm shaft
  - Basic version Rigid plate
  - Cushion deflection With intermediate segments
  - Friction material Asbestos free
  - Spline ID 41 mm
  - Spline OD 45 mm



- 3 VPG2880**  
35651400
- Material type Organic
  - Plate size 350 mm
  - Number of splines 22 splines
  - Shaft size 41 x 45mm shaft
  - Number of pads pads
  - Basic version Torsion damper plate
  - Cushion deflection With intermediate segments
  - Friction material Asbestos free
  - Torsion damper Pre damper
  - Spline ID 41 mm
  - Spline OD 45 mm



- 3 VPG2921**  
32772900
- Material type Sintered
  - Plate size 330 mm
  - Number of splines 22 splines
  - Shaft size 41 x 45mm shaft
  - Number of pads 8 pads
  - Basic version Torsion damper plate
  - Cushion deflection With dual segment cushion
  - Friction material Cera metallic
  - Torsion damper With compensating springs
  - Spline ID 41 mm
  - Spline OD 45 mm



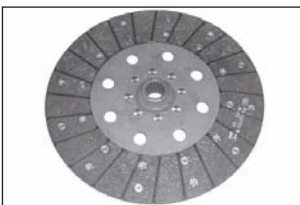
- 4 VPG2061**  
654420
- Material type Organic
  - Plate size 280 mm
  - Number of splines 10 splines
  - Shaft size 1 1/8 shaft
  - Basic version Rigid plate
  - Cushion deflection Without axial cushion
  - Friction material Asbestos free



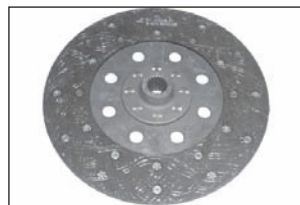
- 4 VPG2480**
- Material type Organic
  - Plate size 280 mm
  - Number of splines 13 splines
  - Shaft size 19 x 22mm shaft
  - Basic version Rigid plate
  - Cushion deflection Without axial cushion
  - Friction material Asbestos free
  - Spline ID 19 mm
  - Spline OD 22 mm



- 4 VPG2493**  
814050
- Material type Organic
  - Plate size 310 mm
  - Number of splines 10 splines
  - Shaft size 1 1/8 shaft
  - Basic version Rigid plate
  - Cushion deflection Without axial cushion
  - Friction material Asbestos free



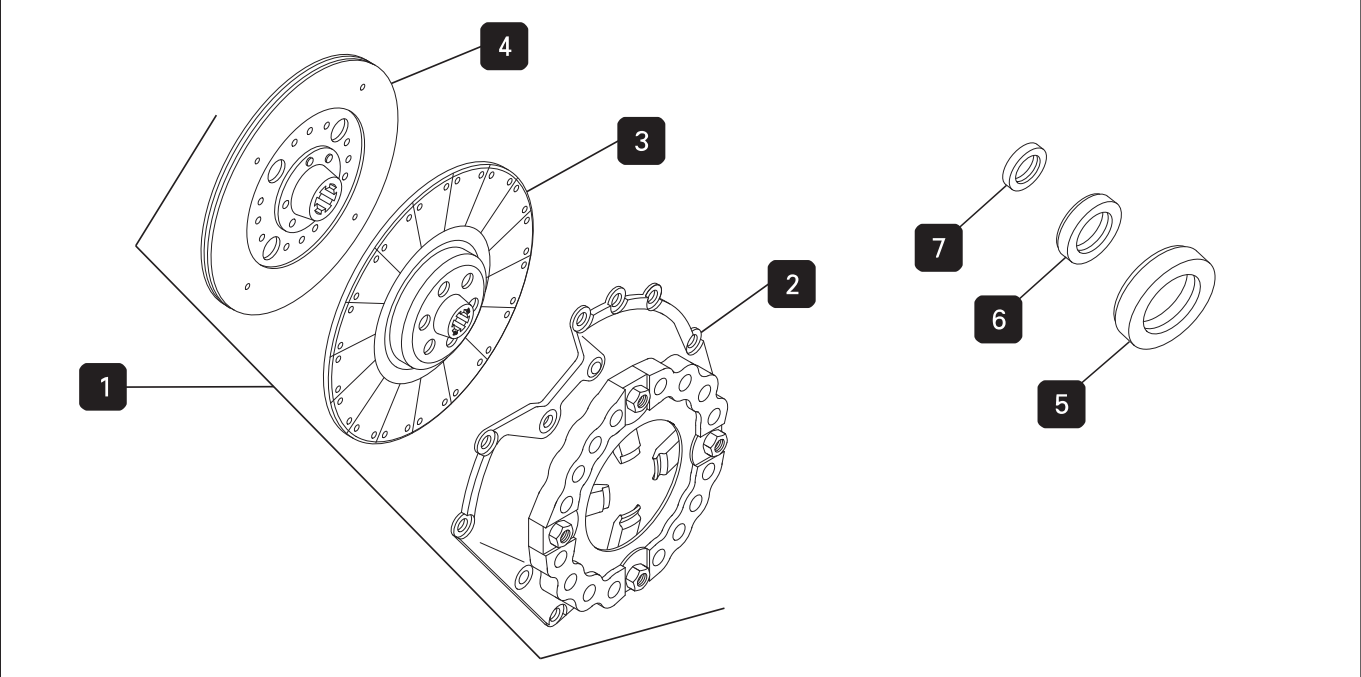
- 4 VPG2687**  
32043000
- Material type Organic
  - Plate size 280 mm
  - Number of splines 18 splines
  - Shaft size 22 x 25mm shaft
  - Basic version Rigid plate
  - Cushion deflection With segment cushion
  - Friction material Asbestos free
  - Spline ID 22 mm
  - Spline OD 25 mm



- 4 VPG2712**  
601460
- Material type Organic
  - Plate size 280 mm
  - Number of splines 18 splines
  - Shaft size 22 x 25mm shaft
  - Basic version Rigid plate
  - Cushion deflection Without axial cushion
  - Friction material Asbestos free
  - Spline ID 22 mm
  - Spline OD 25 mm



- 1 Clutch kit
- 2 Main assembly
- 3 Main drive plate
- 4 PTO drive plate
- 5 Main thrust bearing
- 6 PTO release bearing
- 7 Pilot bearing



**5 VPG5006**

- Type Carbon in integral carrier
- ID 38.2/41.5 mm
- OD 76.5 mm
- Height 21 mm



**5 VPG5078**

- Type Flat faced thrust bearing
- ID 50 mm
- OD 90 mm
- Height 21.60 mm



**5 VPG5085**  
31597300, 35651700

- Type One bearing on integral slave cylinder
- ID 45.50 mm
- OD 95 mm
- Height 105 mm



**5 VPG5258**  
582990

- Type Thrust bearing including sleeve
- ID 55 mm
- OD 92.4 mm
- Height 50 mm



**5 VPG5260**  
725160

- Type Flat faced thrust bearing
- ID 55 mm
- OD 102.5 mm
- Height 29.5 mm



**5 VPG5261**  
811080

- Type Thrust bearing including sleeve
- ID 70 mm
- OD 159 mm
- Height 53 mm



**5 VPG5501**  
30208100, 30208110

- Type Flat faced thrust bearing
- ID 60 mm
- OD 96.7 mm
- Height 26 mm



**6 VLD3213**

- Bearing number 6013
- Inner diameter 65 mm
- Outer diameter 100 mm
- Inner width 18 mm



- 5 VPG5501**  
 30208100, 30208110  
 • Type Flat faced thrust bearing  
 • ID 60 mm  
 • OD 96.7 mm  
 • Height 26 mm



- 6 VLD3213**  
 • Bearing number 6013  
 • Inner diameter 65 mm  
 • Outer diameter 100 mm  
 • Inner width 18 mm



- 6 VPG5259**  
 582970  
 • Type Thrust bearing including sleeve  
 • ID 70 mm  
 • OD 132.4 mm  
 • Height 93.4 mm



- 6 VPG5260**  
 725160  
 • Type Flat faced thrust bearing  
 • ID 55 mm  
 • OD 102.5 mm  
 • Height 29.5 mm



- 7 VPG5010**  
 • Bearing number 6203C3  
 • Inner diameter 17 mm  
 • Outer diameter 40 mm  
 • Inner width 12 mm



- 7 VPG5108**  
 LA1992  
 • Type Double rubber shielded single ball race bearing  
 • ID 40 mm  
 • OD 68 mm  
 • Height 15 mm



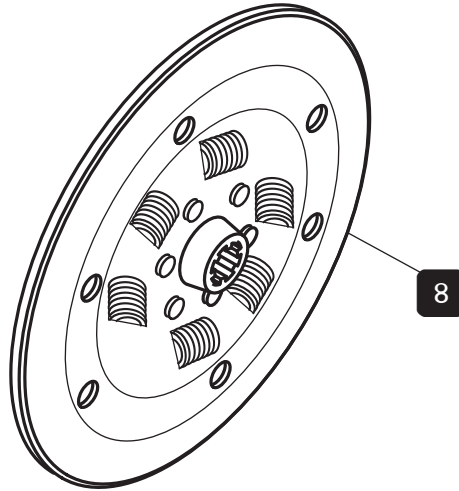
- 7 VPG5127**  
 • Type Double steel shielded roller bearing  
 • ID 25 mm  
 • OD 52 mm  
 • Height 15 mm



- 7 VPG5267**  
 LA1282  
 LA1803  
 • Type Double steel shielded ball race bearing  
 • ID 20 mm  
 • OD 52 mm  
 • Height 15 mm



8 Main drive damper  
See remarks on page 14



8

 C90, C100, Powershift C110, C120, C120e, C130, C150	<b>VPG2922</b> 35652300
M120, Powershift M120e, M130, M150	<b>VPG2922</b> 35652300
N91H, Powershift N101H, N111eH, N121H, N121LS, N141H, N141LS	<b>VPG2923</b> 35303500, 35652400
T120, T130, Powershift T140e, T160, T170, T180, T190	<b>VPG2923</b> 35303500, 35652400
XM130 Powershift	<b>VPG2922</b> 35652300

Digital images



**8 VPG2922**  
35652300

- Size 352 mm
- Spline ID 41 mm
- Spline OD 45 mm



**8 VPG2923**  
35303500, 35652400

- Size 352 mm
- Spline ID 41 mm
- Spline OD 45 mm



Vap	OEM	Page No.	Vap	OEM	Page No.	Vap	OEM	Page No.
VLD3213	-	3.7	VPG2923	35303500, 35652400,	3.14	VPG6756	82224300	3.3, 3.4, 3.5, 3.6
VPG1212	654490	3.2, 3.5	VPG5006	-	3.2, 3.5	VPG9099	-	3.3, 3.4, 3.5, 3.6
VPG1233	303429	3.3, 3.4, 3.5,	VPG5010	-	3.7			
	35652000	3.6, 3.7	VPG5078	-	3.7			
VPG1283	-	3.7	VPG5085	31597300, 35651700	3.6, 3.7			
VPG1284	30036400,	3.3	VPG5108	LA1992	3.3, 3.4, 3.5,			
VPG1755	32831400, 35651500	3.6, 3.7			3.6, 3.7			
VPG1863	32043110	3.3, 3.4, 3.5	VPG5127	-	3.2, 3.5			
VPG1878	601450	3.2, 3.3	VPG5258	582990	3.2, 3.3, 3.4,			
VPG1918	31970510	3.2, 3.3, 3.5,			3.5, 3.6			
		3.6	VPG5259	582970	3.2, 3.3, 3.4,			
VPG2061	654420	3.2, 3.5			3.5, 3.6			
VPG2062	654410	3.2, 3.5	VPG5260	725160	3.2, 3.3, 3.5,			
VPG2343	303430, 325927, 35651900	3.3, 3.4, 3.5,			3.6			
	327729	3.6, 3.7	VPG5261	811080	3.2, 3.3, 3.5,			
VPG2480	-	3.7			3.6			
VPG2493	814050	3.2, 3.3, 3.5,	VPG5267	LA1282,	3.2, 3.3, 3.4,			
		3.6		LA1803	3.5, 3.6			
VPG2687	32043000	3.3, 3.4, 3.5	VPG5501	30208100, 30208110	3.3, 3.4, 3.5,			
VPG2688	32639400	3.3, 3.4, 3.5			3.6, 3.7			
VPG2701	721155	3.2, 3.3	VPG6535	-	3.6, 3.7			
VPG2712	601460	3.2, 3.3	VPG6677	-	3.2, 3.3			
VPG2759	30049300	3.3	VPG6678	A138035	3.7			
VPG2795	30049220	3.2, 3.3, 3.5,	VPG6708	-	3.2, 3.3, 3.5,			
		3.6			3.6			
VPG2822	318878, 35651800	3.5, 3.6, 3.7	VPG6721	-	3.5, 3.6, 3.7			
VPG2880	35651400	3.6, 3.7	VPG6745	35652200	3.3, 3.4, 3.5,			
VPG2921	32772900	3.3, 3.4, 3.5,			3.6, 3.7			
		3.6, 3.7						
VPG2922	35652300	3.14						





OEM	Vap	Page No.	OEM	Vap	Page No.	OEM	Vap	Page No.
30036400	VPG1284	3.3	32772900	VPG2921	3.3, 3.4, 3.5, 3.6, 3.7	601460	VPG2712	3.2, 3.3
30049220	VPG2795	3.2, 3.3, 3.5, 3.6	32831400	VPG1755	3.6, 3.7	654410	VPG2062	3.2, 3.5
30049300	VPG2759	3.3	35303500	VPG2923	3.14	654420	VPG2061	3.2, 3.5
30208100	VPG5501	3.3, 3.4, 3.5, 3.6, 3.7	35651400	VPG2880	3.6, 3.7	654490	VPG1212	3.2, 3.5
30208110	VPG5501	3.3, 3.4, 3.5, 3.6, 3.7	35651500	VPG1755	3.6, 3.7	721155	VPG2701	3.2, 3.3
303429	VPG1233	3.3, 3.4, 3.5, 3.6, 3.7	35651700	VPG5085	3.6, 3.7	725160	VPG5260	3.2, 3.3, 3.5, 3.6
303430	VPG2343	3.3, 3.4, 3.5, 3.6, 3.7	35651800	VPG2822	3.5, 3.6, 3.7	811080	VPG5261	3.2, 3.3, 3.5, 3.6
31597300	VPG5085	3.6, 3.7	35651900	VPG2343	3.3, 3.4, 3.5, 3.6, 3.7	814050	VPG2493	3.2, 3.3, 3.5, 3.6
318878	VPG2822	3.5, 3.6, 3.7	35652000	VPG1233	3.3, 3.4, 3.5, 3.6, 3.7	82224300	VPG6756	3.3, 3.4, 3.5, 3.6
31970510	VPG1918	3.2, 3.3, 3.5, 3.6	35652200	VPG6745	3.3, 3.4, 3.5, 3.6, 3.7	A138035	VPG6678	3.7
32043000	VPG2687	3.3, 3.4, 3.5	35652300	VPG2922	3.14	LA1282	VPG5267	3.2, 3.3, 3.4, 3.5, 3.6
32043110	VPG1863	3.3, 3.4, 3.5	35652400	VPG2923	3.14	LA1803	VPG5267	3.2, 3.3, 3.4, 3.5, 3.6
325927	VPG2343	3.3, 3.4, 3.5, 3.6, 3.7	582970	VPG5259	3.2, 3.3, 3.4, 3.5, 3.6	LA1992	VPG5108	3.3, 3.4, 3.5, 3.6, 3.7
32639400	VPG2688	3.3, 3.4, 3.5	582990	VPG5258	3.2, 3.3, 3.4, 3.5, 3.6			
327729	VPG2343	3.3, 3.4, 3.5, 3.6, 3.7	601450	VPG1878	3.2, 3.3			